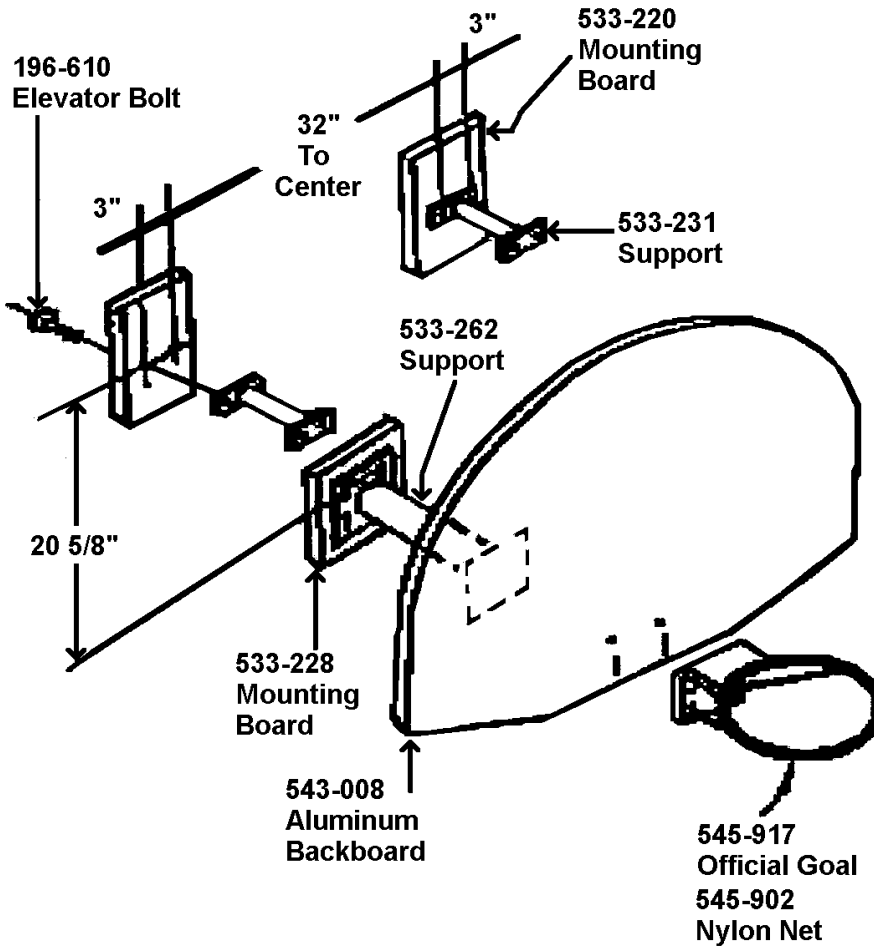


**531-601 Wall Mounted Basketball Backstop
1' Overhang / Aluminum Backboard**

Page 1
Rev. 05/07/08

IMPORTANT

PLEASE READ THESE INSTRUCTIONS BEFORE COMMENCING ASSEMBLY. All equipment must be installed in accordance with these instructions. Check your shipment against Bill of Lading and Parts list. Any missing or broken parts must be reported to your distributor within 10 days of receipt of your order. When properly installed and maintained, equipment will give many years of Safe, Trouble-Free use. Periodically check for loose or broken parts. Loose bolts must be tightened and broken parts must be replaced as they can possibly create dangerous situations leading to unnecessary accidents.



PACKING LIST

HARDWARE BAG

1	CTN	1	Hardware Bag	8	196-610	3/8" x 2 1/2" Elevator Bolts
		2	533-231 Support	4	116-606	3/8" x 1 1/2" Hex Bolts
		1	533-242 Support	4	116-604	3/8" x 1" Hex Bolts
1	CTN	2	533-220 Mounting Board	16	316-601	3/8" Flat Washers
		1	533-228 Mounting Board	12	216-601	3/8" Hex Nuts
1	CTN	1	543-008 Aluminum Backboard			
1	CTN	1	545-917 Official Goal			
		1	545-902 Nylon Net			

4 CTN

4 Total 1 Pcs.

90# Weight

Class 70

531-601 Wall Mounted Basketball Backstop
1' Overhang / Aluminum Backboard

Page 2
Rev. 05/07/08

TOOLS REQUIRED FOR INSTALLATION:

1	Tape Measure	1	Level
1	Crescent Wrench	1	9/16" Socket Wrench

ASSEMBLY AND INSTALLATION:

NOTE: All threaded ends of bolts protruding beyond nuts must be cut off and/or peened to eliminate sharp edges. No more than two threads should extend beyond face of nut.
All washers, "T" nuts, and other fastener hardware used on round pipe or tubing must be hammered down to conform to the curved underlying surface to eliminate catch points.

STEP #1: Attach 533-231 Supports to 533-220 Mounting Boards & 533-242 Support to 533-228 Mounting Board using:

8 - 3/8" x 2 1/2" Elevator Bolts
8 - 3/8" Flat Washers
8 - 3/8" Hex Nuts

STEP #2: Attach mounting boards to wall.

NOTE: Because of varied mounting surfaces (brick, siding, etc.) fasteners to secure mounting boards to wall are NOT provided

STEP #3: Attach 533-008 Aluminum Backboard to 533-231 Supports using:

4 - 3/8" x 1" Hex Bolts
4 - 3/8" Flat Washers

STEP #4: Attach 545-917 Goal and 545-902 Net to 543-008 Aluminum Backboard and 533-242 Support using:

4 - 3/8" x 1 1/2" Hex Bolts
4 - 3/8" Flat Washers
4 - 3/8" Hex Nuts

NOTE The official height of a goal and net is 10 feet from floor to top of rim